

Operating conditions and determines the required length and extras

Basic model without extras



E x t r a s



Handle padding
+6,00 €



Stop
+2,50 €



Wall hook
+2,50 €

- The device is on windows with L-shaped window handles, whose lever freely in $\text{Ø}28 \times 50\text{mm}$ opening of the receiving sleeve of the device fits usable.
- The device can either removable at one or more windows with storage on wall hooks or by permanent attaching "stop" at only one window handle be used. The handle of the device without padding is $\text{Ø}15$ mm thick and the handle with padding is $\text{Ø}21$ mm thick.
- The length of the unit "L" (Fig. 1) shall not be less than twice the height difference "2H" ($L \geq 2H$) be.
- The length "Lh" (Fig. 2) of over window sill hanging device is $Lh = Hh - 5 + 5$ cm, where "Hh" distance of the top of the window handle from the window sill and "A" is the desired spacing of the handle of the device from the window sill.

Fig. 1

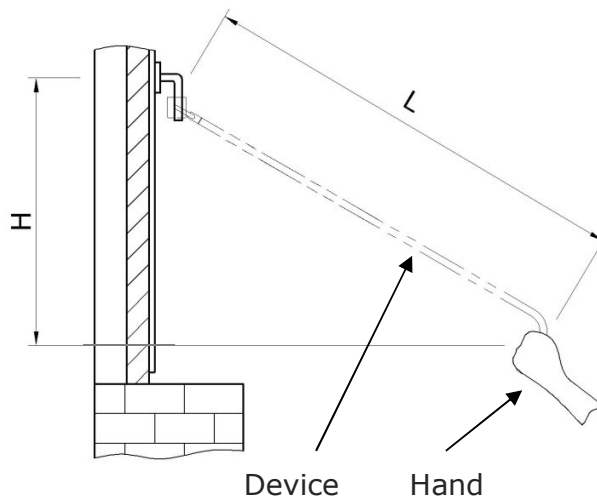


Fig. 2

